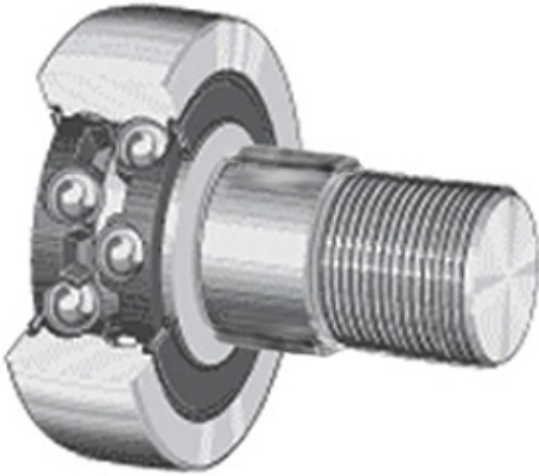




PRD BEARINGS LLC

OSBORN LOAD RUNNERS HPCE-52 Cam Follower and Track Roller - Stud Type



HPCE-52 Bearing 2D drawings and 3D CAD models

Bearing No. HPCE-52

Category	Cam Follower and Track Roller - Stud Type
Inventory	0.0
Manufacturer Name	OSBORN
Minimum Buy Quantity	N/A
Weight	0.72
EAN	0622424958363
Product Group	B04120
Roller Surface Profile	Flat
Profile	Stud Type
Thread Size	M20X1.5
Stud Profile	Standard Stud with Eccentric Bushing
Enclosure	Sealed
Rolling Element	Ball Bearing - Double Row
Relubricatable	No
Hex Socket	Yes
Inch - Metric	Metric
Long Description	52MM Roller Diameter; 33.6MM Roller Width; Flat Roller Surface; Stud Type; 20MM Stud Diameter; M20X1.5 Thread; Standard Stud with Eccentric Bushing; Sealed; Ball Bearing - Double Row; Not Relubricatab
Category	Cam Followers Stud Type



PRD BEARINGS LLC

UNSPSC	31171530
Harmonized Tariff Code	8482.10.50.68
Noun	Bearing
Keyword String	Cam Follower
Manufacturer URL	http://www.osborn.com
Manufacturer Item Number	HPCE-52
Manufacturer Internal Number	95836
Weight / LBS	1.587
Roller Diameter	2.047 Inch 52 Millimeter
Stud Diameter	0.787 Inch 20 Millimeter
Roller Width	1.323 Inch 33.6 Millimeter