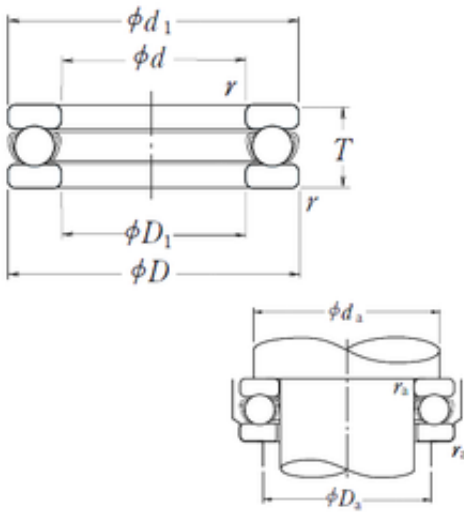




# PRD BEARINGS LLC



51102 Bearing 2D drawings and 3D CAD models

## NSK 51102 8102 Thrust Ball Bearing 15X28X9 Size

Bearing No. 51102

Size	15x28x9 mm
Bore Diameter	15 mm
Outer Diameter	28 mm
Width	9 mm
d	15 mm
D	28 mm
T	9 mm
d1	28 mm
r min.	0,3 mm
D1	16 mm
da min.	23 mm
Da max.	20 mm
ra max.	0,3 mm
Weight	0,023 Kg
Basic dynamic load rating (C)	10,6 kN
Basic static load rating (C0)	16,8 kN
(Grease) Lubrication Speed	6300 r/min
Category	Thrust Ball Bearing
Inventory	0.0
Manufacturer Name	NSK
Minimum Buy Quantity	N/A
Weight / Kilogram	0.02
EAN	0029176026379
Product Group	B00308
Rolling Element	Ball Bearing



## PRD BEARINGS LLC

Thrust Bearing	Yes
Single or Double Direction	Single Direction
Banded	No
Cage Material	Steel
Precision Class	Non-Precision
Component Description	Roller Assembly Plus Raceways
Other Features	Single Row   With Flat Seat
Long Description	15MM Bore 1; 16MM Bore 2; 28MM Outside Diameter; 9MM Height; Ball Bearing; Single Direction; Not Banded; Steel Cage; Non-Precision
Inch - Metric	Metric
Category	Thrust Ball Bearings
UNSPSC	31171552
Harmonized Tariff Code	8482.10.50.08
Noun	Bearing
Keyword String	Ball Thrust
Manufacturer URL	<a href="http://www.nskamericas.com">http://www.nskamericas.com</a>
Manufacturer Item Number	51102
Weight / LBS	0.05071
Bore 1	0.591 Inch   15 Millimeter
Outside Diameter	1.102 Inch   28 Millimeter
Bore 2	0.63 Inch   16 Millimeter
Height	0.354 Inch   9 Millimeter
Overall Height with Aligning Washer	0 Inch   0 Millimeter
bore diameter:	15 mm
static load capacity:	1710 kg
outside diameter:	28 mm
dynamic load capacity:	1080 kg
overall width:	9 mm



## PRD BEARINGS LLC

operating temperature range:	Maximum of +120 ° C
thrust bearing type:	Single-Direction
maximum rpm:	9500 RPM
outside diameter design:	Straight
cage material:	Steel
separable or banded:	Separable
fillet radius:	0.3 mm
race type:	Flat
series:	511
precision rating:	ABEC 1 (ISO Class Normal)
SRI	2.6
hidYobi	51102
LangID	1
D_	28
SREX	0.03
C	10.6
B_	9
hidTable	ecat_NSSDTB
Oil rpm	9500
SRE	2.6
mass	0.023
GRS rpm	6300
ra	0.3
SRIX	0.03
D_a	20
SRIN	0
C0	16.8
SREN	0
D_1	16
Prod_Type3	TB_SD_WFS
da	23



## PRD BEARINGS LLC

DA_	4.762
Z_	12
yobi	51102
SDM_	21.5
r	0.3
T_	9
KBRG	5111